

Silhouette

SELV 12 RANGE

Installation and Wiring Instructions



Stock Ref. N°

439974 (100SV12)
439975 (100SV12T)
439976 (100SV12H)

FAN UNITS 12V 50Hz SELV (CLASS III)
CONTROLLERS 220-240V 50Hz MAINS SUPPLY (CLASS II)
WITH 12V 50Hz SELV OUTPUT

Vent-Axia®

PLEASE READ INSTRUCTIONS IN CONJUNCTION WITH ILLUSTRATIONS.
PLEASE SAVE THESE INSTRUCTIONS.

IPX7



Installation and Wiring Instructions for the Silhouette SELV 12 Fan & Controller.



**IMPORTANT:
READ THESE INSTRUCTIONS
BEFORE COMMENCING THE
INSTALLATION**

DO NOT install this product in areas where the following may be present or occur:

- Excessive oil or a grease laden atmosphere.
- Corrosive or flammable gases, liquids or vapours.
- Ambient temperatures higher than 40°C or less than -5°C.
- Possible obstructions which would hinder the access or removal of the Fan.

SAFETY AND GUIDANCE NOTES

- A. All wiring to be in accordance with the current I.E.E. Regulations, or the appropriate standards of your country and **MUST** be installed by a suitably qualified person.
- B. The fan should be provided with a local isolator switch capable of disconnecting all poles, having a contact separation of at least 3mm.
- C. Ensure that the mains supply (Voltage, Frequency, and Phase) complies with the rating label.
- D. The fan should only be used in conjunction with the appropriate Vent-Axia products.
- E. It is recommended that the connection to the fan connector terminals is made with flexible cable.
- F. When the fan is used to remove air from a room containing a fuel-burning appliance, ensure that the air replacement is adequate for both the fan and the fuel-burning appliance.
- G. The fan should not be used where it is liable to be subject to direct water spray for prolonged periods of time.
- H. Where ducted fans are used to handle moisture-laden air, a condensation trap should be fitted. Horizontal ducts should be arranged to slope slightly downwards away from the fan.
- I. This appliance is not intended for use by young children or infirm persons without supervision.
- J. Young children should be supervised to ensure that they do not play with the appliance.

IMPORTANT:- ONLY CONNECT TOGETHER PRODUCTS FROM THE SILHOUETTE SELV 12 RANGE SINCE THE FANS ARE SPECIALLY DESIGNED TO WORK ON 12V AC AND ARE NOT COMPATIBLE WITH OTHER VENT-AXIA CONTROLLERS. DO NOT CONNECT MORE THAN ONE FAN TO THE CONTROLLER.

DESCRIPTION

The Silhouette SELV 12 range from Vent-Axia is a 100mm extract fan for domestic bathrooms and WC's available as wall or panel mounted models. Model options with shutter, timer and auto humidity control.

ACCESSORIES (not supplied)

A range of 100mm wall kits are available for installing into most walls using telescopic liners supplied. (White – 254102, Brown – 254100)

A. INSTALLATION

SITING THE CONTROLLER

1. The controller must not be installed in a shower cubicle or enclosure. It must be sited away from direct sources of water spray and out of reach (1.5m) of a person using a fixed bath or shower.
2. Site away from direct sources of heat. Ambient temperature range 0 to 40°C. Do not site in an area containing excessive levels of grease.
3. Decide where to site the controller and fan (see section siting the fan), and work out the required cable runs.

SITING THE FAN

1. The electrical supply to this fan is 12V AC SELV from the mains controller. This means that the fan may be installed within reach of a person using a fixed bath or shower, i.e. in a nearby wall. However, the fan must not be placed where it could be submerged in water or regularly exposed to direct water spray, e.g. from a shower head whether permanently fixed or movable.
2. Site away from direct sources of heat. Ambient temperature range 0 to 40°C. Do not site in an area containing excessive levels of grease.
3. If the fan is installed in a room containing a fuel burning appliance the installer must ensure that air replacement is adequate for both the fan and the fuel burning appliance. If the fan is used to supply air into the room the installer must ensure that the fan intake is located at least 600mm away from any flue outlet.
4. Ducted Applications. These fans can be used with short lengths of rigid ducting, but check details first with your Vent-Axia sales centre. Where an excessive amount of moisture is present in the air, a condensation trap will need to be installed in the exhaust duct. Horizontal ducts should slope away from the fan unit. Ducts passing through an unheated roof void should be insulated.
5. A short circuit of the airflow should always be avoided by siting the fan as far away as possible from and opposite to the main source of air replacement. FIG.1
6. The Silhouette 100SV12H model is fitted with automatic electronic humidity sensing. The humidity sensor needs free air circulation so do not site close to cupboards, etc. Do not site above a radiator or other heat source. Do not site where it is liable to be subject to direct water spray for prolonged periods of time.

PANEL/CEILING MOUNTING

IMPORTANT: The fan should be installed into a closed duct system or protected by an exterior air grille.

1. Cut a 105mm diameter hole in the fixing surface.
2. Remove the grille by loosening the screw at the bottom of the grille.
3. Mark the screw centres through the holes in the fan back plate. Drill, plug and screw into position.
4. Securely attach ducting.
5. Replace grille and tighten the screw.

WALL MOUNTING (Wall kit not supplied – see Accessories above)

1. Cut a 115mm diameter hole through the wall and insert the wall sleeve with the large diameter sleeve on the room side. Slope the sleeve slightly downwards away from the fan. Cement both ends into position flush with the wall faces.
2. Remove the grille by loosening the screw at the bottom of the grille.

3. Mark the screw centres on the wall through the holes of the fan back plate. Drill plug and screw into position.
4. Repeat for the external grille sub-frame. Fix exterior grille into position with the louvres positioned downwards.

AFTER INSTALLATION ENSURE IMPELLER ROTATES FREELY

B. WIRING.



WARNING: THE FAN AND ANCILLARY CONTROL EQUIPMENT MUST BE ISOLATED FROM THE POWER SUPPLY DURING THE INSTALLATION / OR MAINTENANCE.

IMPORTANT: The controller is only suitable for connection to a 220-240V 50Hz AC single phase mains electrical supply. It is double insulated (CLASS II) and therefore must not be earthed. It provides a 12V 50Hz AC Safety Extra Low Voltage for the Silhouette SELV 12 range of fans. Note that only one fan must be connected to the controller.

1.5mm² wire is recommended for cable runs up to 8m.

1. Select and follow the appropriate wiring diagram. (Fig. 2,3 or 4)
2. Check all connections have been made correctly and ensure all terminal connections and cable clamps are securely fastened.
3. Ensure the impeller rotates and is free from obstructions.

C. SETUP



WARNING: THE FAN AND ANCILLARY CONTROL EQUIPMENT MUST BE ISOLATED FROM THE POWER SUPPLY DURING THE INSTALLATION / OR MAINTENANCE.

Timer adjustment (Silhouette 100SV12T)

BEFORE ADJUSTING THE TIMER, SWITCH OFF THE MAINS SUPPLY. TIMER SHOULD ONLY BE ADJUSTED BEFORE OR DURING INSTALLATION.

Unscrew the fixing screws holding the controller to the mounting box. The fan overrun period can be adjusted up or down using the adjuster located on the internal PCB.

Humidity Set-Point adjustment (Silhouette 100SV12H)

BEFORE ADJUSTING THE CONTROLLER, SWITCH OFF THE MAINS SUPPLY. HUMIDISTAT SHOULD ONLY BE ADJUSTED BEFORE OR DURING INSTALLATION.

1. Remove the fan grille. The controller is factory set to switch on at about 70% RH. The humidity set point can be adjusted from 60-95%RH by altering the adjuster on the control PCB.
2. To LOWER the set-point use a small screwdriver to turn the adjuster **CLOCKWISE**. This makes the controller MORE sensitive.
3. To RAISE the set-point use a small screwdriver to turn the adjuster **ANTI-CLOCKWISE**. This makes the controller LESS sensitive.
4. Replace the fan grille.

Manual Override: The 100SV12H Humidistat has an additional LS connection (connection made via the transformer) to enable the fan to be manually switched on via a separate light switch/other controller (Fig.4).

IMPORTANT: Upon installation it is possible that the humidity controller will make the fan run continuously until it has acclimatised to the environment. As part of the installation process it is important to set/adjust the humidity sensitivity to the desired position. The controller is already factory set to switch on at about 70% R.H.

LED Operation

The LED will be on whenever the fan is running.

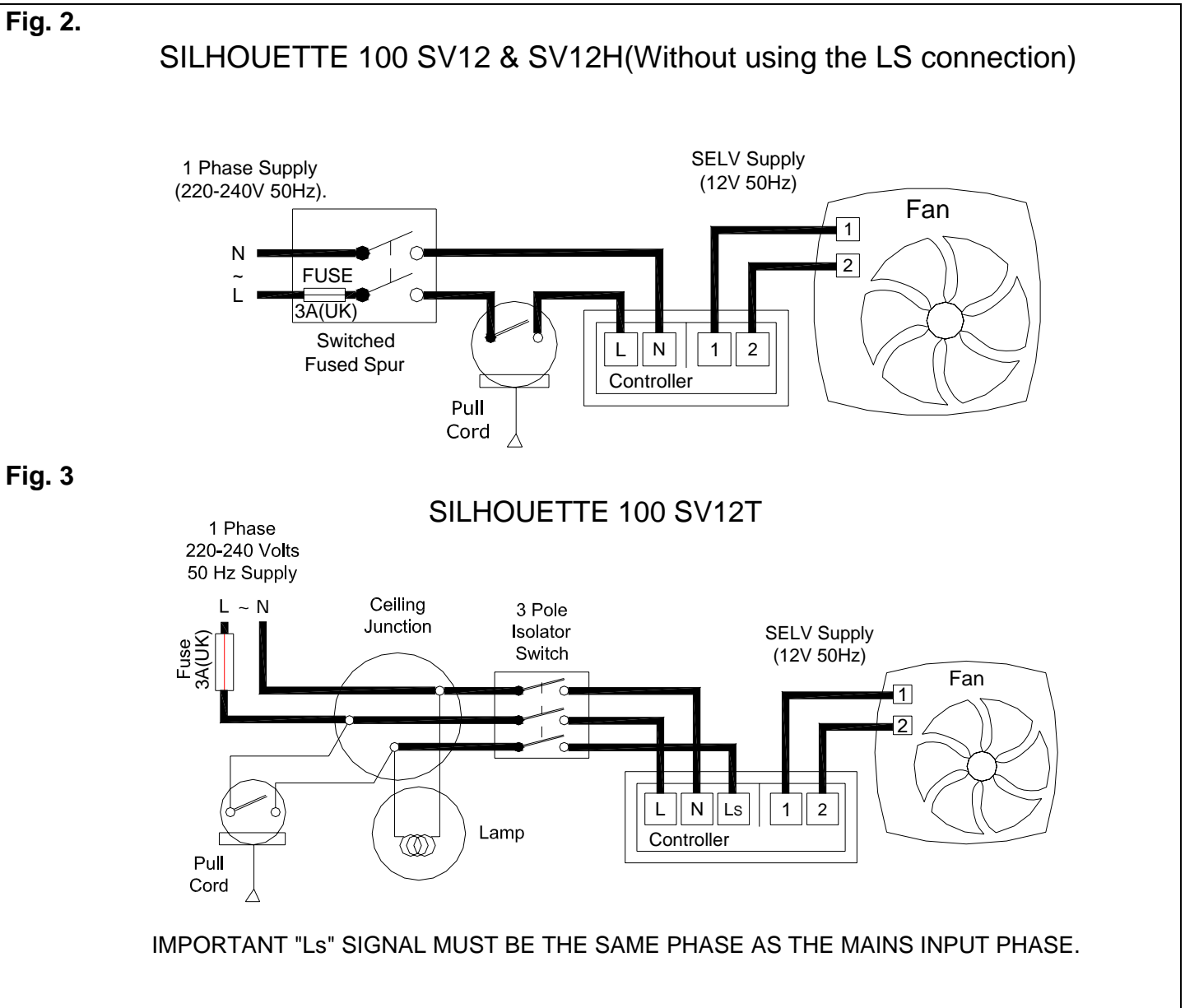
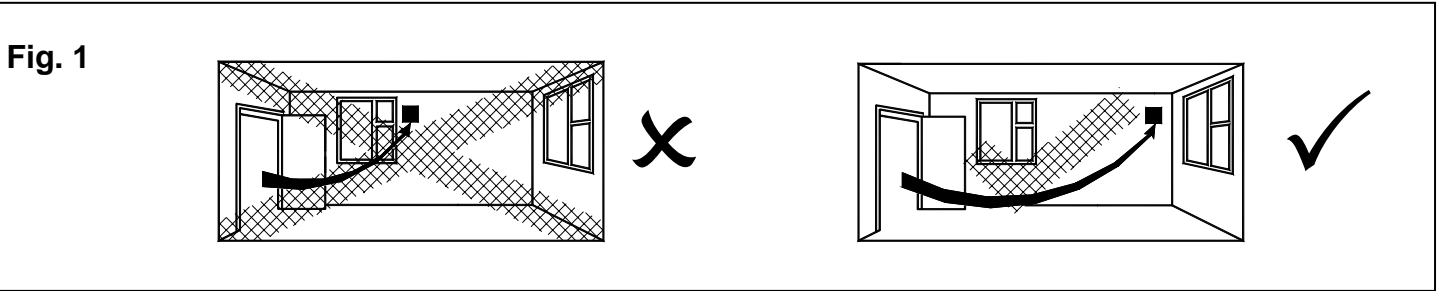
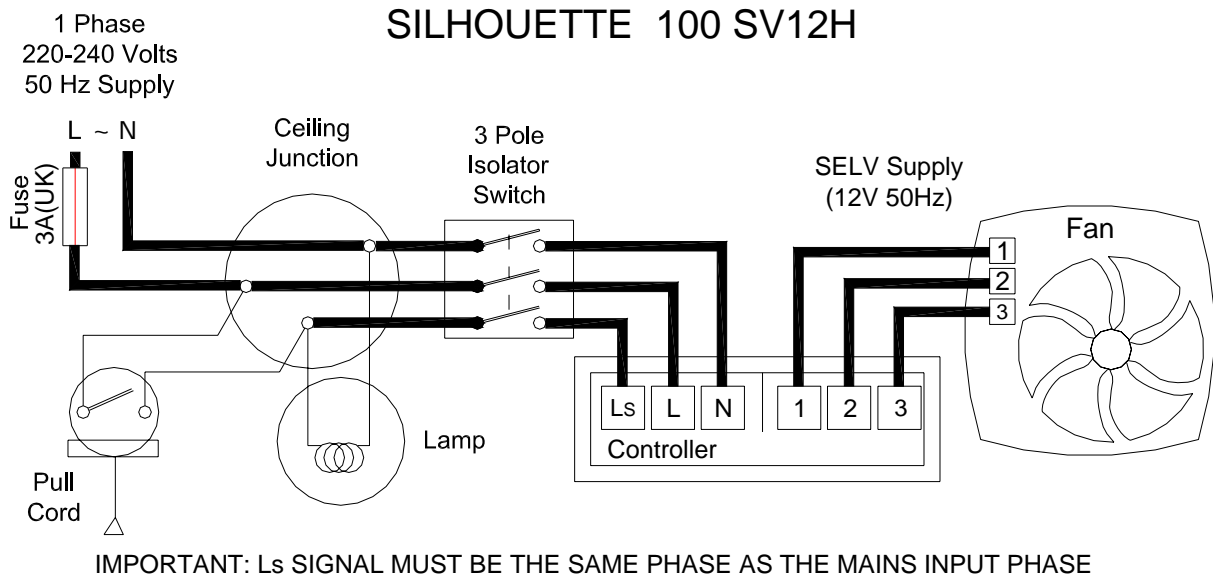


Fig.4



Vent-Axia[®]

Head Office: Fleming Way, Crawley, West Sussex, RH10 9YX. Tel: 01293 526062 Fax: 01293 551188

UK NATIONAL CALL CENTRE, Newton Road, Crawley, West Sussex, RH10 9JA

SALES ENQUIRIES: Tel: 0844 8560590 Fax: 01293 565169

TECHNICAL SUPPORT: Tel: 0844 8560595 Fax: 01293 539209

For details of the warranty and returns procedure please refer to www.vent-axia.com or write to Vent-Axia Ltd, Fleming Way, Crawley, RH10 9YX