

Vent-Axia.

Hand dryer Automatic

FAST DRY

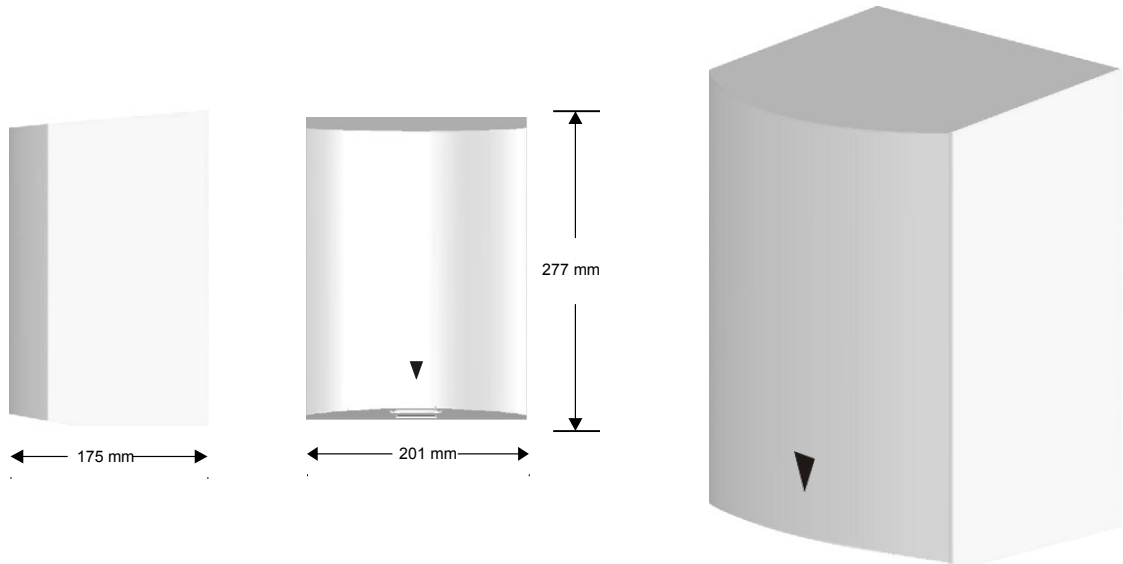


T15HD/SS

HIGHSPEED Hand dryer

Operating Instructions and Parts Manual (Automatic)

Surface Mount



TECHNICAL SPECIFICATIONS

<i>ITEM CATEGORY</i>	<i>PERFORMANCE DATA</i>
Operating Voltage	220-240Vac, 50/60 Hz, 1.34-1.6 kW
Warm Air Speed Output	75-100 m/s (169-225 mi/hrA),djustable
Motor Type	350-700W,12000-18000R.P.M,Adjustable ; BrushType, Dual Ball Bearings
Motor Thermal Protection	Auto Resetting thermostat turns unit off at 105°C (221°F)
Heater Element	450-900W,Adjustable
Heater Thermal Protection	Auto Resetting thermostat turns unit off at 85°C (185°F)
Drying Time	Less than 15 seconds
Stand-by Power	Less than 0.5W
Circuit Operation	InfraredAutomatic, self adjusting
Sensor Range	4" to 9" [100 mm to 230 mm], adjustable; standard 7" [170 mm± 20 mm]
Timing Protection	60 seconds auto shutfof
Drip proof	IPX1 ♦
Isolation	CLASS 1
Net Weight	5.8 kgs (12.8 lbs)
Shipping Weight	6.6 kgs (14.6 lbs)
Unit Size	201 mm W x 277 mm H x 175 mm D (7-29/32" x 10-29/32" x 6-57/64")
Cover Type	T15HD/SS - Stainless steel; Satin finish. (#304 t:1.5 mm)

General safety information:

⚠ WARNING This product is intended for installation by a qualified service person. Use 1.0 mm² solid conductor for wiring.

⚠ WARNING Disconnect power at the service breaker before installing or servicing. NOT FOR HOUSEHOLD USE - MAY CAUSE BURNS. " IMPROPRE A L'USAGE DOMESTIQUE - PUET OCCASIONNER."

⚠ DANGER Failure to properly ground unit could result in severe electrical shock and/or death.

⚠ WARNING All units must be supplied with a 3-wire service. The ground wire must be connected to the dryer's backplate.

-- NOTE: Do not install dryer over washbasin --

- Type Y attachment
If the power supply cord is damaged, it must be replaced by the manufacturer or its service agent or a similar qualified person in order to avoid a hazard.
- Means for disconnection must be incorporated in the fixed wiring in accordance with the wiring rules.
- This Appliance can be used by children aged from 8 years and above and persons with reduced physical, sensory or mental capabilities if they have been given supervision or instruction concerning use of the appliance in a safe way and understand the hazards involved.
- Children should be supervised to ensure they do not play with the hand dryer

Installation

1. Make sure power supply breaker is switched off. Installation must be carried out in accordance with the current edition of the local wiring regulations code having jurisdiction. Installation should be performed only by a qualified electrician.
2. Place template against wall at desired height (see mounting height recommendations) and mark locations of 4 mounting holes and wire service entry at knockout (KO) location.
Note: For two or more dryers, dryers should be no closer than 610mm (24") on center.
3. Remove and retain 2 cover screws and cover.
4. Connect supply wires to terminal block where indicated and connect ground wire to base plate with ground screw (Connections: A. Connect the live wire (colored red or black) to the terminal block marked "L". B. Connect the neutral wire (colored white or blue) to the terminal block marked "N". C. Connect the ground wire (colored green or green and yellow) to the green screw marked "⚡"). Note that colours of live and neutral wires depend on voltage of supply service.
5. Replace cover. Do not over-tighten screws.

Recommended mounting heights

- from bottom edge of dryer above finished floor (AFF)

Men	1000 mm	(40")
Women	960 mm	(38")
Children 4-7 years	812 mm	(32")
Children 8-10 years	860 mm	(34")
Children 11-13 years	910 mm	(36")
Children 14-16 years	960 mm	(38")
Handicaped	860 mm	(34")

Operation

- No-touch operation
- Shake excess water from hands.
- Place hands under the outlet to start operation.
- Rub hands lightly and rapidly.
- Stops automatically after hands are removed.

Cleaning and Maintenance

Periodic cleaning of the unit is recommended to ensure optimum performance.

- Disconnect the electrical supply.
- Remove the two cover-mounting screws.
- Remove the cover.
- Clean all dust lint from the interior of the dryer.
- Wipe the cover with a damp cloth and mild cleaning solution. Do not Soak. Never use abrasives to clean the cover.
- Replace the cover. Do not over tighten the screws.

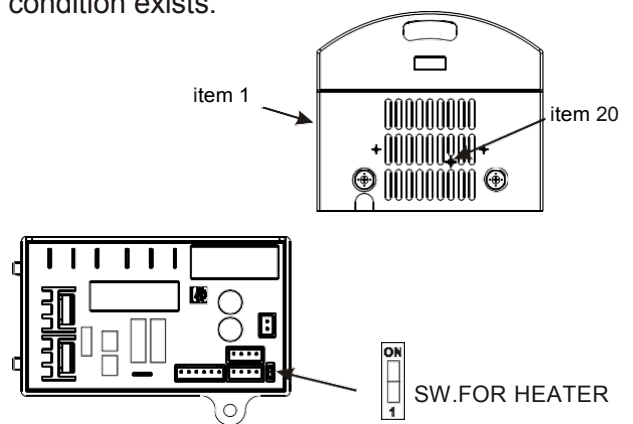


Warm air speed adjustment

Use flat blade screwdriver small enough to fit through access hole {Ø4,8mm [Ø3/16"]} in bottom grille of cover (item 1). The adjustment potentiometer (item 20) is visible through the slots of the grille. With respect to axis of screwdriver viewed from handle end, gently turn adjustment potentiometer shaft clock-wise [CW] to increase power to maximum (shaft will hard stop; DO NOT OVERTURN!). Turn tool gently CCW to reduce power as required (shaft will hard stop; DO NOT OVERTURN!). Note that at minimum power the unit may not start if low line Voltage condition exists.

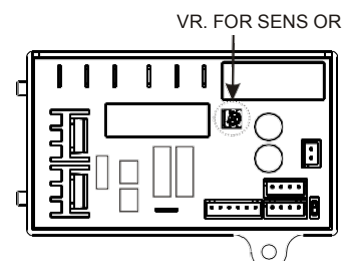
Heater Element Switch ON/ OFF

1. Cut off the power, loosen the screw of the cover and remove the cover.
2. Adjust the heater switch on the PCB with a flathead screwdriver.
 - 2.1 Turn the switch to "ON": heater on
 - 2.2. Turn the switch to "1": heater off



Sensor range adjustment

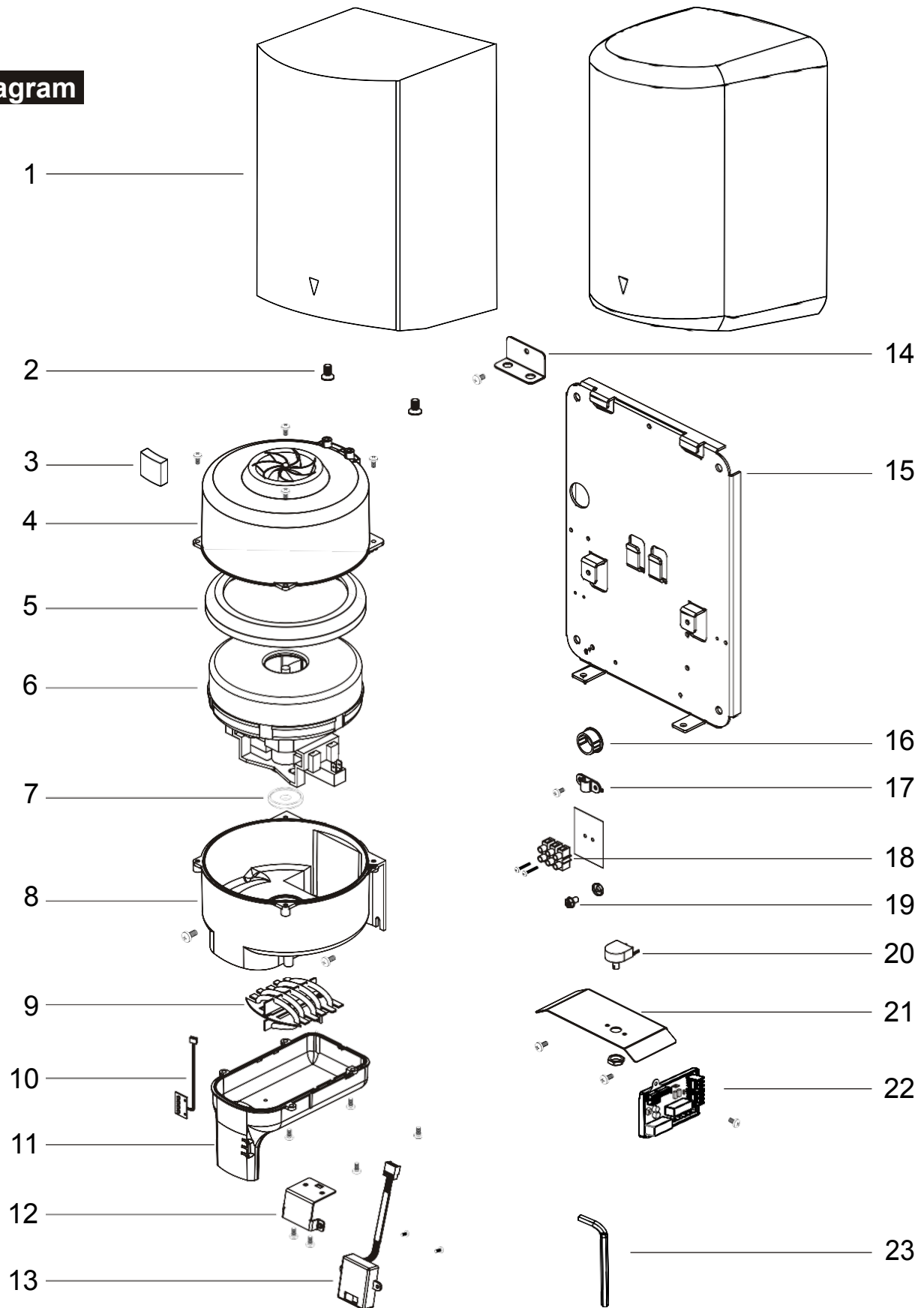
1. The range is 4" to 9" [100 mm to 230 mm], standard 7" [170 mm±20 mm]
2. Clockwise: Lengthen the sensing range(+)
3. Counterclockwise: Shorten the sensing range(-)
4. DO NOT OVERTURN!



**T15HD/BS
T15HD/SS**

T15HD

Diagram



Repair parts list

Key	Description
1	Steel - White porcelain enamelled (T15HD) Stainless Steel - Bright finish (T15HD/BS) Stainless Steel - Satin finish (T15HD/SS)
2	Security hex screw (2 reqd.)
3	Shock absorber
4	Blower housing - Top
5	Motor rubber - Large
6	Motor
7	Motor rubber - Small
8	Blower housing - Bottom
9	Heater assembly
10	LED assembly
11	Air outlet
12	Sensor bracket
13	Sensor module
14	Blower housing bracket
15	Base plate
16	Nylon hole bushing
17	Cable clamp
18	Terminal block
19	Grounding screw
20	VR (variable resistance)
21	VR bracket
22	Circuit Board Module
23	Security hex wrench

PLEASE READ ALL INSTRUCTIONS CAREFULLY BEFORE STARTING THE INSTALLATION

INSTALLATION INSTRUCTIONS

ALWAYS ENSURE THAT THE INSTALLATION CONFORMS TO THE CURRENT EDITION OF THE IEE WIRING REGULATIONS BS7671(UK) OR THE APPROPRIATE STANDARDS IN YOUR COUNTRY. ENSURE THAT THE UNIT IS SEPARATELY FUSED WITH A SUITABLY RATED FUSE AND THAT IT IS CONNECTED TO THE SUPPLY WITH A DOUBLE POLE ISOLATING SWITCH HAVING A CONTACT SEPARATION OF AT LEAST 3mm. CARE SHOULD BE TAKEN THAT SINGLE INSULATED CONDUCTORS CANNOT COME INTO CONTACT WITH THE MOUNTING SURFACE.

GENERAL SAFETY

DISCONNECT POWER BEFORE INSTALLATION OR SERVICING.
THIS APPLIANCE MUST BE EARTHED.

THIS PRODUCT IS INTENDED FOR INSTALLATION BY A QUALIFIED PERSON.

THIS APPLIANCE IS NOT INTENDED FOR USE BY PERSONS (INCLUDING CHILDREN) WITH REDUCED PHYSICAL, SENSORY OR MENTAL CAPABILITIES, OR LACK OF EXPERIENCE AND KNOWLEDGE, UNLESS THEY HAVE BEEN GIVEN SUPERVISION OR INSTRUCTION CONCERNING USE OF THE APPLIANCE BY A PERSON RESPONSIBLE FOR THEIR SAFETY.

CHILDREN SHOULD BE SUPERVISED TO ENSURE THAT THEY DO NOT PLAY WITH THE APPLIANCE.

MOUNTING INSTRUCTIONS

THE UNIT MUST BE FIXED TO A SOLID SUPPORTING WALL. SEE SUPPLIED MOUNTING HOLE TEMPLATE. RECOMMENDED FIXING HEIGHTS TO TOP OF UNIT ARE AS FOLLOWS:-
1 M ABOVE THE FLOOR FOR NORMAL USE.

THIS HAND DRYER MUST NOT BE MOUNTED ABOVE SHELVES, SINKS OR RADIATORS TO ENSURE EASE OF INSTALLATION AND SUBSEQUENT MAINTENANCE, THE HORIZONTAL DISTANCE TO ANY ADJACENT WALL SHOULD NOT BE LESS THAN 0.2 METRES.

1. FIX THE MOUNTING HOLE TEMPLATE TO THE WALL, TO THE HEIGHT AS STATED ABOVE.
2. DRILL 4 HOLES 8mm TO A DEPTH OF 35mm.
3. REMOVE MOUNTING TEMPLATE.
4. FIT WALL PLUGS SUPPLIED INTO THE HOLES.
5. REMOVE THE COVER FROM THE HAND DRYER BASE PLATE.
6. FIX THE BASE PLATE TO THE WALL USING THE SCREWS PROVIDED.
7. WIRE UP HAND DRYER AS DETAILED BELOW.
8. ATTACH COVER BACK ONTO BASE PLATE.
9. CHECK HAND DRYER OPERATION.
10. NOTE:- FOR TWO OR MORE DRYERS, DRYERS SHOULD BE NO CLOSER THAN 610mm BETWEEN CENTRES.

WIRING DETAILS

1. CONNECT THE LIVE WIRE (COLOURED RED OR BROWN) TO THE TERMINAL MARKED "L"
2. CONNECT THE NEUTRAL WIRE (COLOURED BLACK OR BLUE) TO THE TERMINAL MARKED "N"
3. CONNECT THE EARTH WIRE (COLOURED GREEN & YELLOW) TO THE TERMINAL MARKED "⊕"

SERVICING AND MAINTENANCE

THE MINIMUM SERVICE PERIOD FOR THE DRYER SHOULD BE EVERY 3 MONTHS OR MORE FREQUENT INTERVALS AS EXPERIENCE DICTATES.

ISOLATE THE UNIT FROM THE ELECTRICITY SUPPLY BEFORE SERVICING/CLEANING, REMOVE DUST, FLUFF AND ANY OTHER BUILD UP OF FOREIGN MATTER FROM INLET AND OUTLET GRILLE AREAS. THE COVER CAN BE WIPED WITH A DAMP CLOTH AND MILD CLEANING SOLUTION. DO NOT SOAK. NEVER USE ABRASIVES TO CLEAN THE COVER.

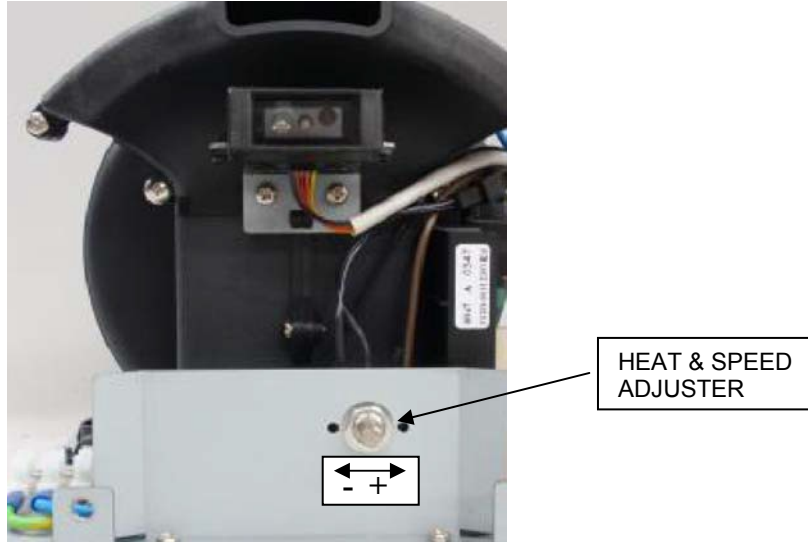
OPERATION

- NO-TOUCH OPERATION.
- SHAKE EXCESS WATER FROM HANDS.
- PLACE HANDS UNDER THE OUTLET TO START OPERATION.
- RUB HANDS LIGHTLY AND RAPIDLY.
- STOPS AUTOMATICALLY AFTER HANDS ARE REMOVED.

HAND DRYER HEAT & SPEED ADJUSTMENT

THE EXACT HEAT & SPEED RANGE HAS ALREADY BEEN SET BY THE MANUFACTURER, BUT IF ADJUSTMENT IS REQUIRED PROCEED AS FOLLOWS:-

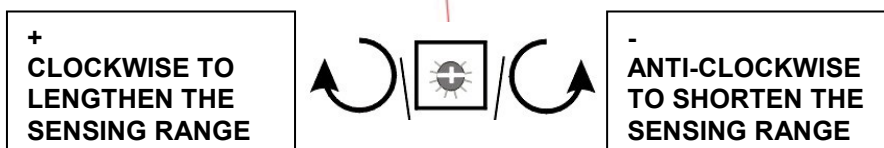
1. ISOLATE HAND DRYER FROM THE POWER SUPPLY
2. REMOVE THE HAND DRYER COVER
3. FIND THE HEAT/SPEED ADJUSTER, SEE BELOW FOR POSITION.
4. TURN CLOCKWISE TO INCREASE THE HEAT & SPEED OF THE DRYER
5. TURN ANTI-CLOCKWISE TO DECREASE THE HEAT& SPEED OF THE DRYER



SENSING RANGE ADJUSTMENT

THE EXACT SENSING RANGE HAS ALREADY BEEN PRE-SET BY THE MANUFACTURER, BUT IF ADJUSTMENT IS REQUIRED PROCEED AS FOLLOWS:-

1. ISOLATE HAND DRYER FROM THE POWER SUPPLY
2. REMOVE THE HAND DRYER COVER
3. FIND THE SENSING RANGE ADJUSTER, IT IS LOCATED ON THE TIMER PCB ASSEMBLY SEE BELOW.
4. USING A SMALL SCREW DRIVER, ADJUST AS FOLLOWS:-
5. TURN CLOCKWISE TO LENGTHEN THE SENSING RANGE OF THE DRYER.
6. TURN ANTI-CLOCKWISE TO SHORTEN THE SENSING RANGE OF THE DRYER.



THIS UNIT MUST ONLY BE FITTED AND SERVICED BY SUITABLY QUALIFIED PERSONNEL

De garantie

Alleen van toepassing op in België, Nederland of Duitsland geïnstalleerde en gebruikte producten. Neem contact op met uw plaatselijke leverancier voor meer informatie over de garantie buiten deze landen.

Vent-Axia garandeert zijn producten tegen materiaalgebreken en fabricagefouten gedurende vijf jaar vanaf de aankoopdatum en tot maximaal 30 maanden na productiedatum. De kosten van demontage en montage vallen buiten de garantie.

Indien een onderdeel defect wordt bevonden, wordt het product kosteloos hersteld of, naar keuze van Vent-Axia, gratis vervangen mits dit product:

- werd geïnstalleerd en gebruikt overeenkomstig de bij elke unit geleverde instructies;
- werd aangesloten op een geschikte elektrische voeding (de juiste spanning staat vermeld op het identificatieplaatje van de unit);
 - juist werd gebruikt, niet werd verwaarloosd noch werd beschadigd;
- niet werd gewijzigd/omgebouwd of hersteld door een niet daartoe gemachtigde persoon;
 - onderdelen zijn gebruikt die voorgeschreven en geleverd werden door de fabrikant.
 - exclusief motor borstels door slijtage

AANSPRAAK OP GARANTIE

Retourneer het volledige product per post, port betaald, naar uw oorspronkelijke leverancier of naar de dichtstbijzijnde vestiging van Vent-Axia, of breng dit persoonlijk binnen. Zorg ervoor dat het product goed is ingepakt en vergezeld gaat van een brief waarop duidelijk "Aanspraak op garantie" vermeld staat en waarin een nauwkeurige beschrijving wordt gegeven van de storing. Voeg tevens het aankoopbewijs bij waarop de datum en plaats van aankoop zijn aangegeven. Vent-Axia behoudt zich het recht op productwijzigingen en software-updates zonder de noodzaak om eerder geleverde producten te updaten.

De garantie geldt als extra voordeel en doet geen afbreuk aan uw wettelijke rechten.

Voor meer informatie over de garantie en de retourprocedure, ga naar:
www.vent-axia.be, www.vent-axia.nl of www.vent-axia.de